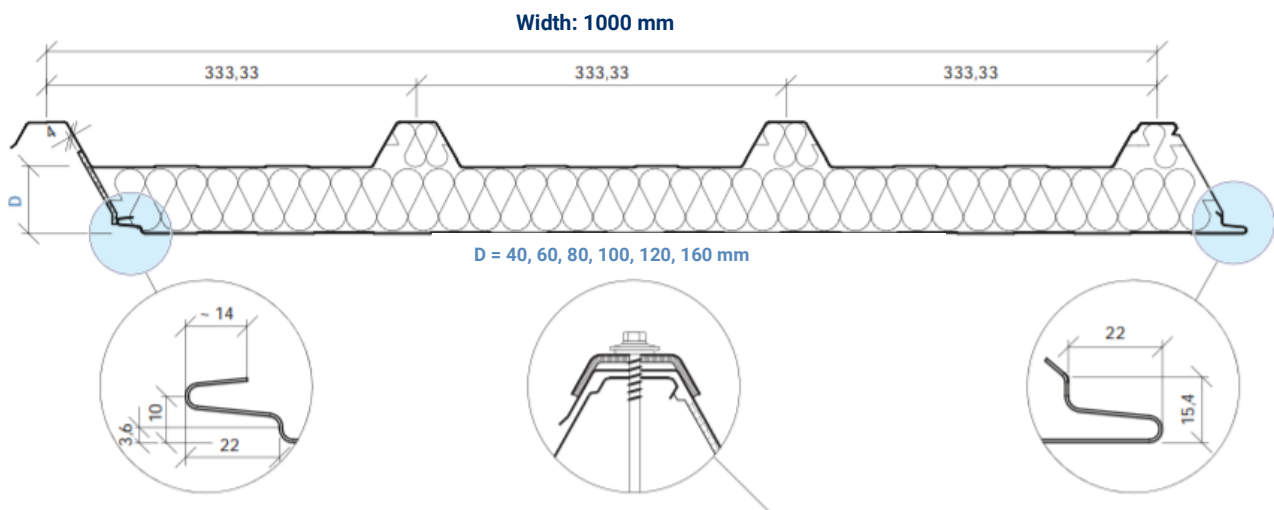
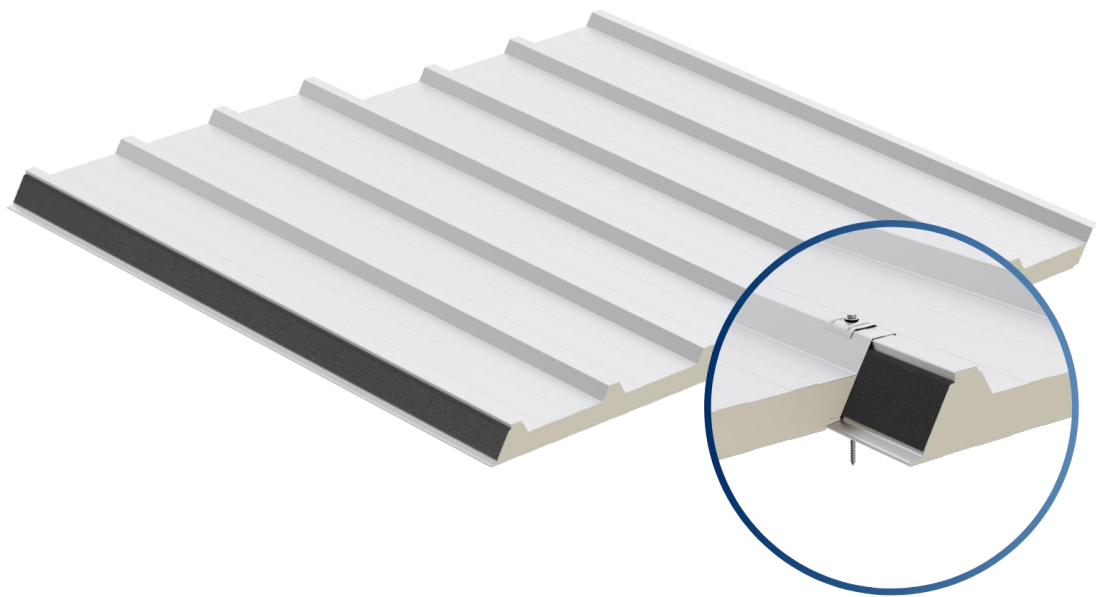


PRODUCT DATA SHEET

ARPANEL D PIR Roof sandwich panel





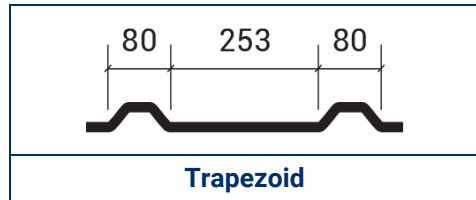
Style. Quality. Function.

PARAMETERS ARPANEL D PIR

Core thickness	40/80	60/100	80/120	100/140	120/160	160/200
External facing thickness [mm]	0,5 - 0,7					
Internal facing thickness [mm]	0,4 - 0,7					
Core density	40 ± 3 kg/m ³					
Weight [kg/ m ²]	9,8	10,6	11,3	12,1	12,9	14,4
Proper acoustic insulation [Rw(C,Ctr) dB]	25 (-1;-4)					NPD
Sound absorption [α _w]	0,15					NPD
Heat transfer coefficient U _{d,S} = W/(m ² x K)	0,48	0,33	0,26	0,21	0,18	0,13
Fire restance	E / B-s2,d0					
Fire resistance according to EN 13501-5	Broof(t1)			Broof (t1), (t3)		Broof (t1)
Fire resistance according to EN 13501-2	not classified	REI 15/ RE 20		REI 30/ RE 60		

Installation details are available in the fire classifications of ARPANEL sandwich panels.

Profiles



Types of standard coatings

Polyester – PE

*Other types of coatings, e.g. PVDF, PUR PA, HDX, PRISMA, FOODSAFE, HPS, INOX, SDP, are available upon request.

Environment in case of standard coating, Polyester - PE

A possibility to apply inside, in environments A1, A2, A3 and outside building C1, C2, C3.

*For environments characterized by higher aggressiveness, a coating that meets the requirements of a given corrosivity category should be selected.

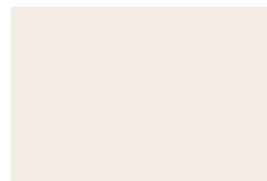
Standard colors



RAL 9006



RAL 9002



RAL 9010



RAL 5010



Ask our representative about the availability of other standard colors of ARPANEL sandwich panels.

Available lengths of panels

Standard lengths of panels are from 2,0 m to 18,5 m.

Permissible deviations from dimensions

According to EN 14509:

Panels with length of ≤ 3 m ± 5 mm

Panels with length of > 3 m ± 10 mm

For the covering width of the sandwich panel, ± 2 mm

At the panel thickness:

For $D \leq 100$ mm ± 2 mm

For $D > 100$ mm ± 2 %

Rectangularity of cut at the length $\leq 0,6$ % of the panel width

Panel:

2 mm per each meter of length, but not more than 20 mm

8,5 mm per each meter of width, but not more than 10 mm

The presented contents and drawings are demonstrative material only. Adamietz Sp z o.o., the producer of sandwich panels ARPANEL, is not responsible for any differences between the content of the product card and the real products parameters. The producer reserves the right to implement changes and modifications to the content without prior notice. Pursuant to the Civil Code, the content of the product card does not constitute a commercial offer.

Adamietz Sp z o.o., the producer of sandwich panels ARPANEL, is the copyright holder of the materials included in this product card. The content of the materials is protected by the copyright. The sale, publication, licensing or any distribution of the part or the whole of these works is prohibited without the written consent of Adamietz Sp. z o.o.

The design of these materials and the information concerning the offered products are the property of the Adamietz company. Copying and the reproduction of the materials by third parties in conducting business activity without information on their origin will constitute an act of unfair competition.