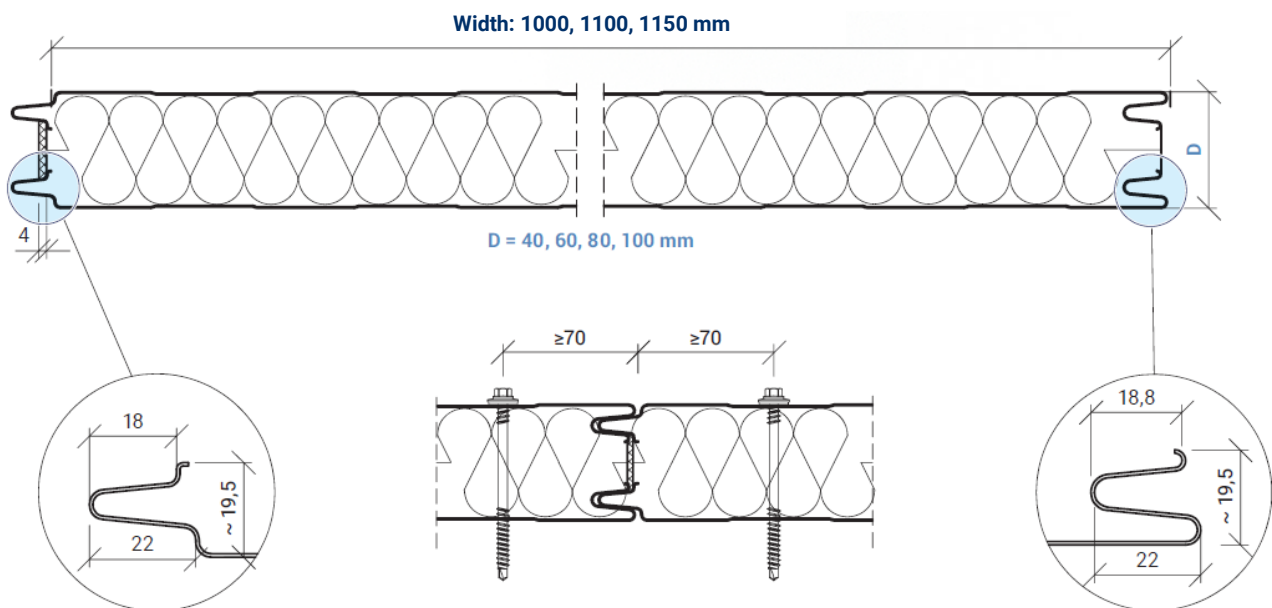
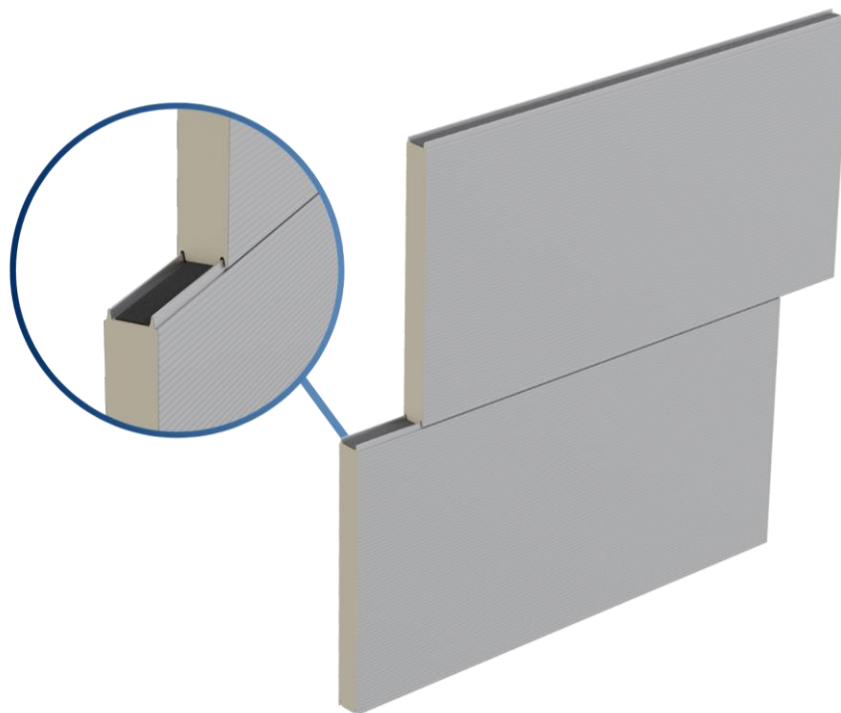


PRODUCT DATA SHEET

Wall sandwich panel **ARPANEL S PIR** standard fastening system



**PARAMETERS ARPANEL S PIR**

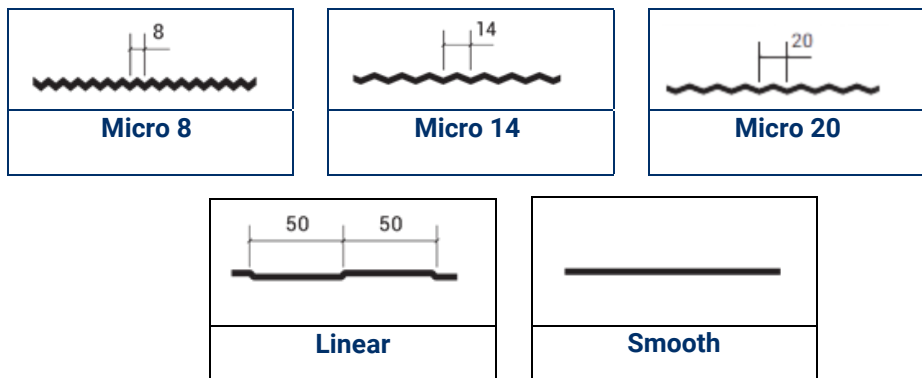
	40	60	80	100
Core thickness				
External facing thickness [mm]	0,5 -0,7			
Internal facing thickness [mm]	0,4 – 0,7			
Core density	40 ± 3 kg/m³			
Weight [kg/ m ²]	9,6	10,4	11,2	11,9
Proper acoustic insulation [Rw(C,Ctr) dB]	25 (-2;-4)			
Sound absorption [α_w]	0,15			
Heat transfer coefficient $U_{d,s} = W/(m^2 \times K)$	0,58	0,37	0,27	0,22
Fire resistance	B-s1,d0			
Fire resistance according to PN-B-02867	non-fire spreading			



INTERNAL WALL			
Fire resistance according to EN 13501-2 vertical	not classified	E 15 / EI 15 / EW 15 ≤ 4 m	E 30/ EI 30 / EW 30 ≤ 3 m E 20/ EI 20/ EW 20 ≤ 7,5 m
Fire resistance according to EN 13501-2 horizontal	not classified	E 20/ EI 20 / EW 20 ≤ 4 m	E 30/ EI 30 / EW 30 ≤ 4 m E 20/ EI 20/ EW 20 ≤ 7,5 m
EXTERNAL WALL			
Fire resistance according to EN 13501-2 vertical	not classified	E 15 (i↔o)/ EI 15 (i↔o) / EW 15 (o↔i) ≤ 4 m	E 30 (i↔o)/ EI 30 (i↔o) / EW 30 (i↔o) ≤ 3 m E 20 (o↔i)/ EI 20 (o↔i) / EW 20 (i↔o) ≤ 7,5 m
Fire resistance according to EN 13501-2 horizontal	not classified	E 20(o↔i)/ EI 20 (o↔i)/EW 20(o↔i) ≤ 4 m	E 30 (o↔i)/ EI 30 (o↔i) / EW 30 (o↔i) ≤ 4 m E 20 (o↔i)/ EI 20 (o↔i) / EW 20 (o↔i) ≤ 7,5 m
CEILING			
Fire resistance according to PN-EN 13501-2:2016 ceiling	NPD	EI 15 (a←b) ≤ 1,7 m	EI 30 (a←b) ≤ 2 m EI 15 (a←b) ≤ 5,85 m

Installation details are available in the fire classifications of ARPANEL sandwich panels.

Profiles



Types of standard coatings

Polyester – PE

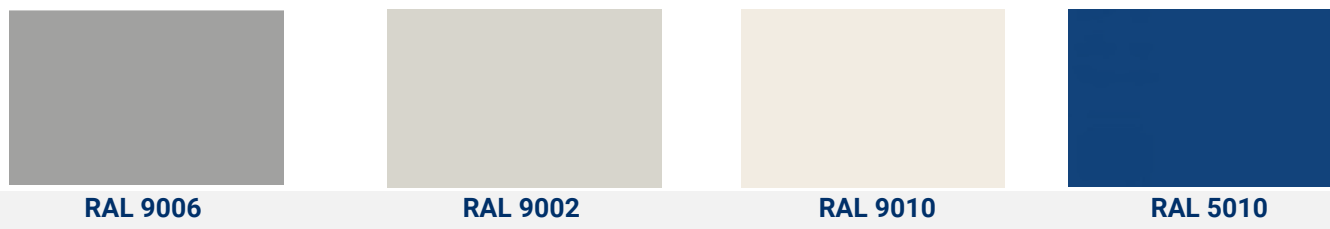
*Other types of coatings, e.g. PVDF, PUR PA, HDX, PRISMA, FOODSAFE, HPS, INOX, SDP, are available upon request.

Environment in case of standard coating, Polyester - PE

A possibility to apply inside, in environments A1, A2, A3 and outside building C1, C2, C3.

*For environments characterized by higher aggressiveness, a coating that meets the requirements of a given corrosivity category should be selected.

Standard colors



**ARPANEL**

Style. Quality. Function.

**RAL 7016****RAL 7035****RAL 9007**

Ask our representative about the availability of other standard colors of ARPANEL sandwich panels.

Available lengths of panels

Standard lengths of panels are from 2,0 m to 18,5 m.

Permissible deviations from dimensions

According to EN 14509:

Panels with length of ≤ 3 m ± 5 mm

Panels with length of > 3 m ± 10 mm

For the covering width of the sandwich panel, ± 2 mm

At the panel thickness:

For $D \leq 100$ mm ± 2 mm

For $D > 100$ mm ± 2 %

Rectangularity of cut at the length $\leq 0,6$ % of the panel width

Panel:

2 mm per each meter of length, but not more than 20 mm

8,5 mm per each meter of width, but not more than 10 mm

The presented contents and drawings are demonstrative material only. Adamietz Sp z o.o., the producer of sandwich panels ARPANEL, is not responsible for any differences between the content of the product card and the real products parameters. The producer reserves the right to implement changes and modifications to the content without prior notice. Pursuant to the Civil Code, the content of the product card does not constitute a commercial offer.

Adamietz Sp z o.o., the producer of sandwich panels ARPANEL, is the copyright holder of the materials included in this product card. The content of the materials is protected by the copyright. The sale, publication, licensing or any distribution of the part or the whole of these works is prohibited without the written consent of Adamietz Sp. z o.o.

The design of these materials and the information concerning the offered products are the property of the Adamietz company. Copying and the reproduction of the materials by third parties in conducting business activity without information on their origin will constitute an act of unfair competition.