



**ARPANEL**

**STYL. JAKOŚĆ. FUNKCJA.**



**CORNER SANDWICH  
PANELS**

**A UNIQUE LOOK FOR YOUR FAÇADE**

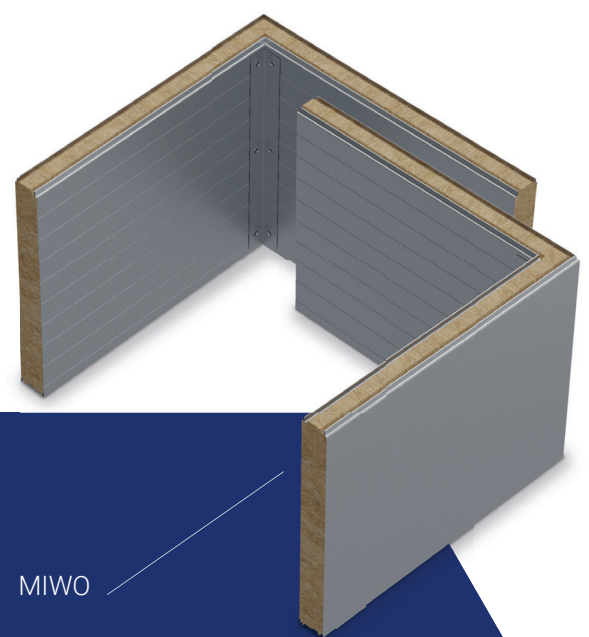
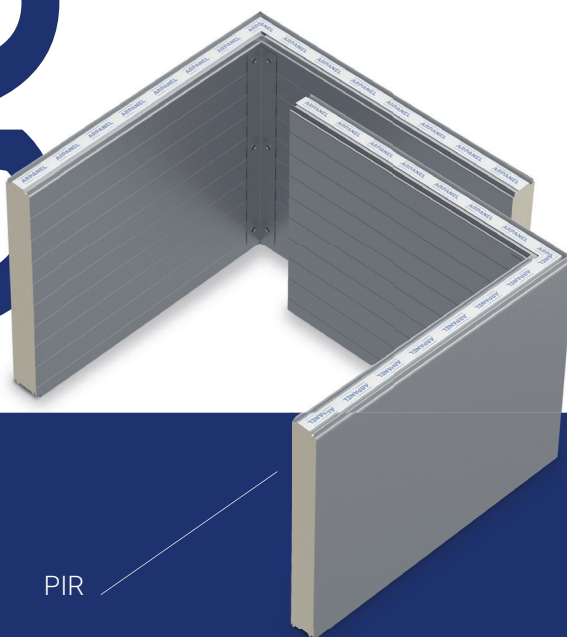
# CORNERS

## CREATIVE SOLUTIONS

### A unique look for your façade

Prefabricated corner sandwich panels with a PIR polyisocyanurate foam core (so-called corners) or MiWo mineral wool create aesthetically pleasing and original edges of the building cladding.

The main advantage of the corners is the fastening without the use of corner flashings, which makes the finishing element of façade systems extremely effective and aesthetic.



ELEGANCE

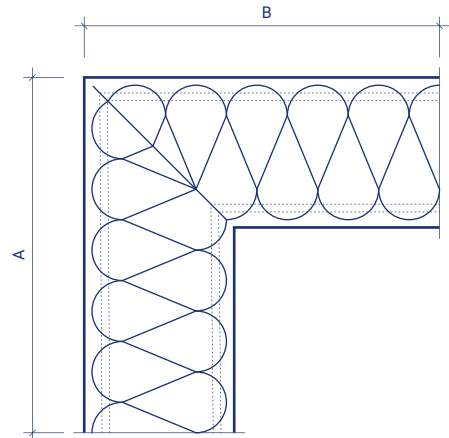
AESTHETICS

FUNCTIONALITY

# TECHNICAL SOLUTIONS

## Specification

We offer a wide range of wall panel thicknesses, from which we are able to make ARPANEL corner sandwich panels.

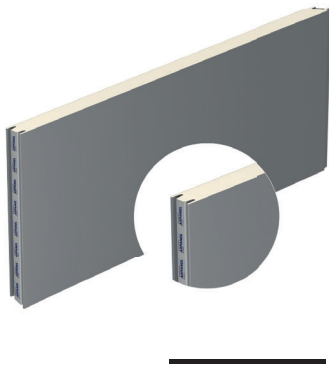


Panel type	Thickness [mm]	Dimension A+B [mm]	Dimension A or B [mm]
ARPANEL S MiWo	80 100	min. 800 / max. 3000	
	120 150	min. 800 / max. 2500	
	160 180 200	min. 800 / max. 2000	
ARPANEL SU MiWo	100	min. 800 / max. 3000	
	120 150	min. 800 / max. 2500	
	200	min. 800 / max. 2000	
ARPANEL S PIR	60 80 100	min. 800 / max. 4000	min. 400
ARPANEL SU PIR	60 80 100	min. 800 / max. 4000	
	120	min. 800 / max. 3000	
ARPANEL CH PIR	120 140 160 200	min. 800 / max. 3000	

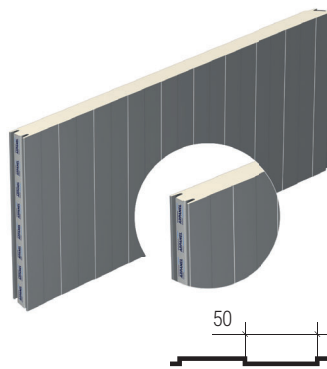
# PROFILING

## Types of profiling

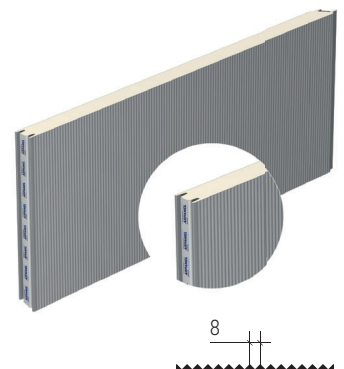
PROFILING OF EXTERNAL FACING



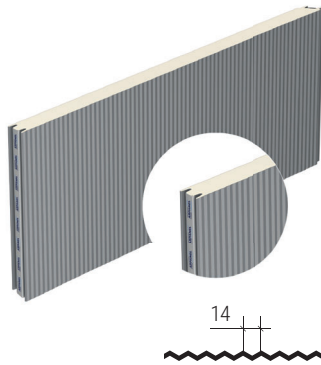
SMOOTH



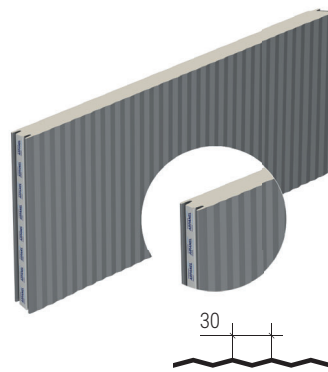
LINEAR



MIKRO 8

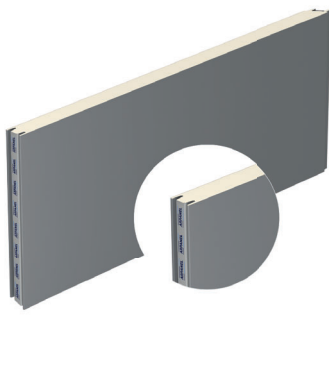


MIKRO 14

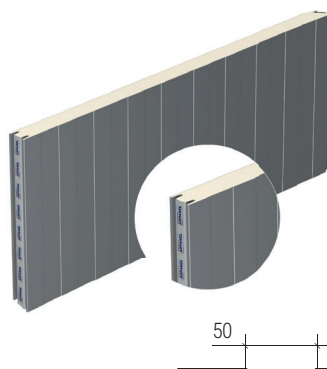


MIKRO 30

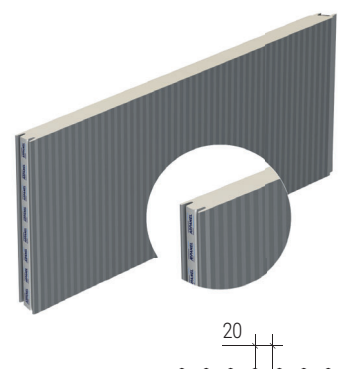
PROFILING OF THE INNER FACING



SMOOTH



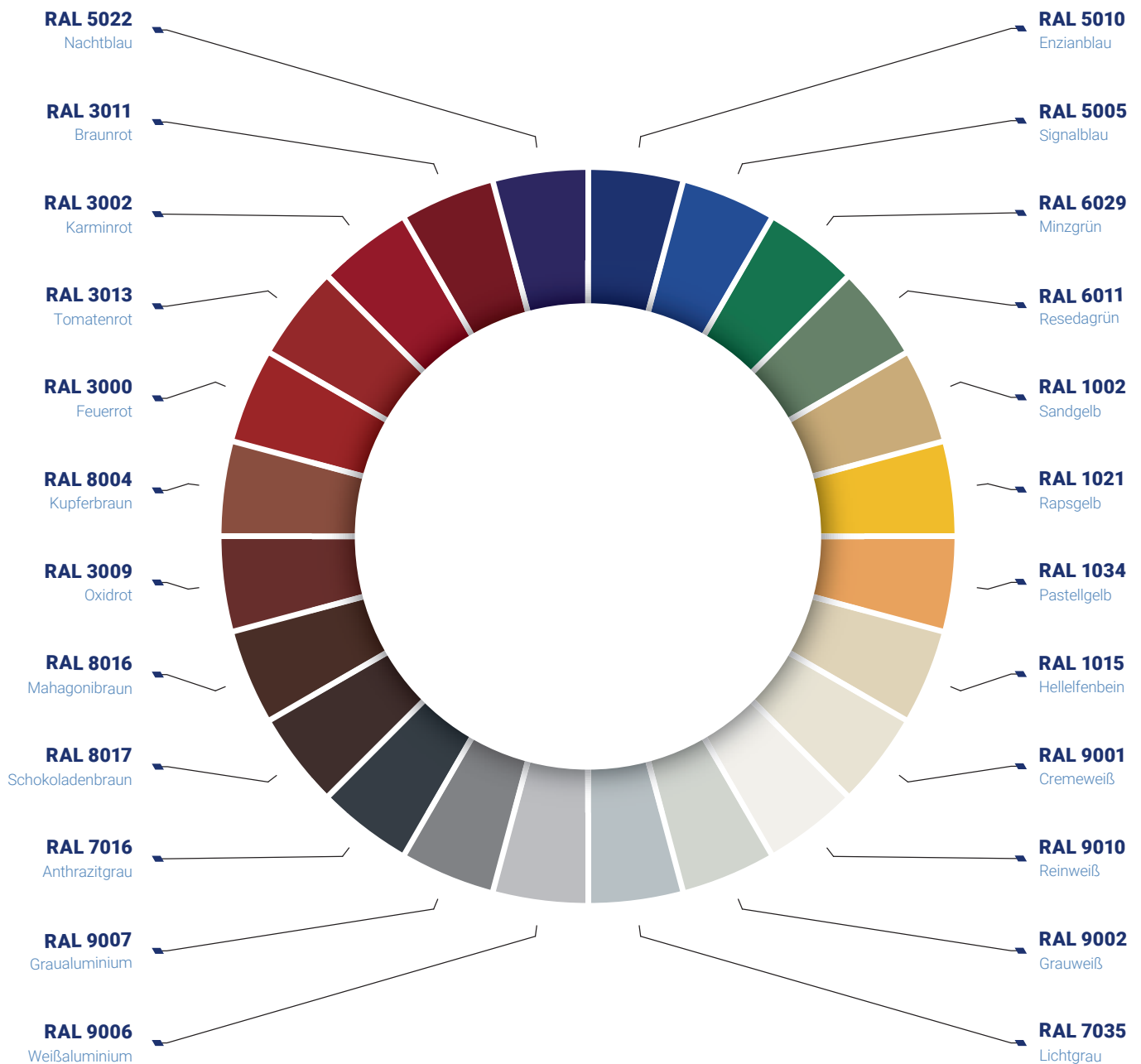
LINEAR



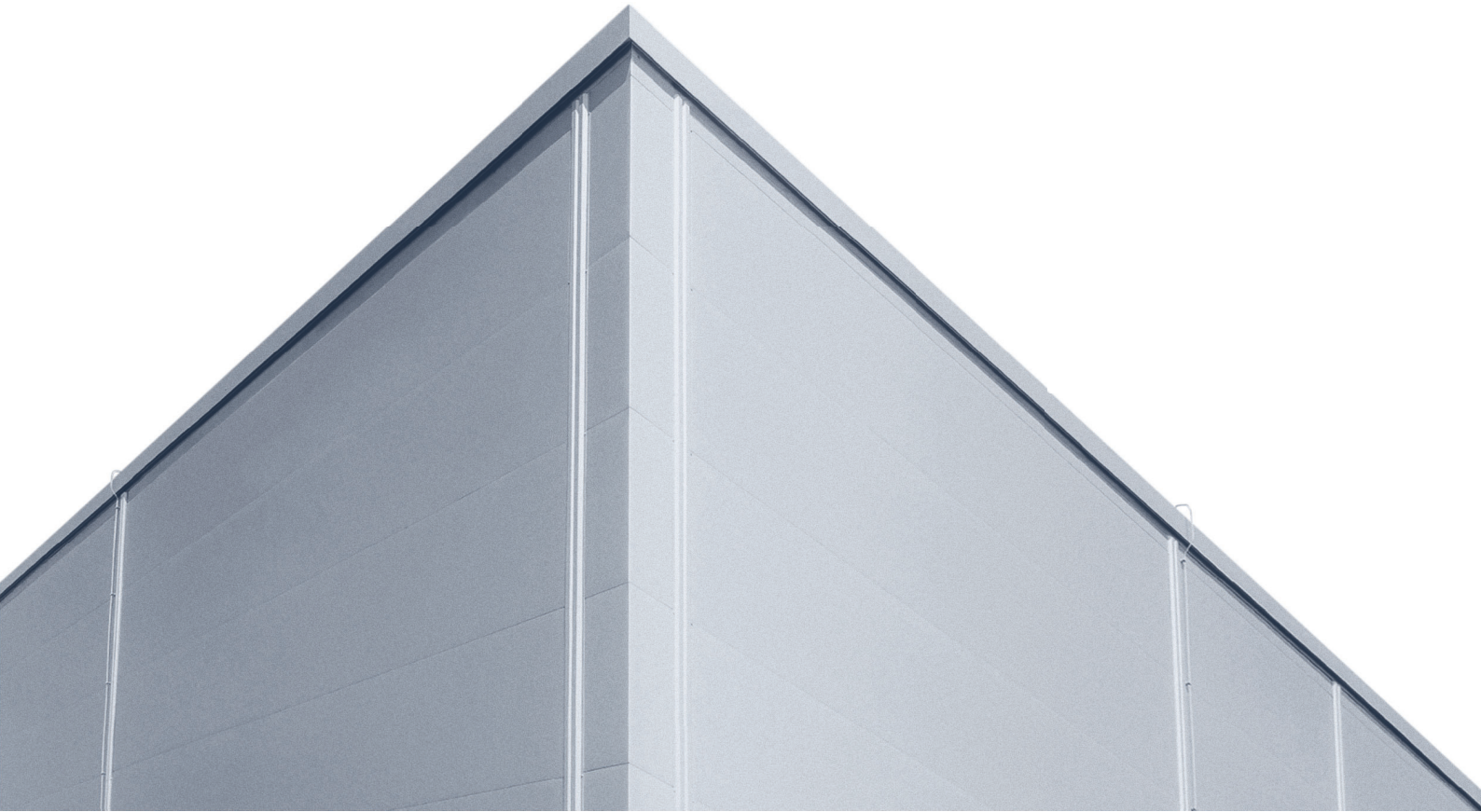
MIKRO 20

# RANGE OF COLOURS

Example colours of ARPANEL corner sandwich panel facings



\* The RAL colours shown are for illustrative purposes only and may differ in shade from the actual colours.



Adamietz S.A., the manufacturer of ARPANEL corner sandwich panels, is not responsible for any differences between the actual parameters and the content of this brochure.

The manufacturer reserves the right to make corrections and changes in the content of this publication without prior notice.

The contents of this brochure do not constitute a commercial offer within the meaning of the Civil Code.



Please consider the environment  
before printing this brochure.